



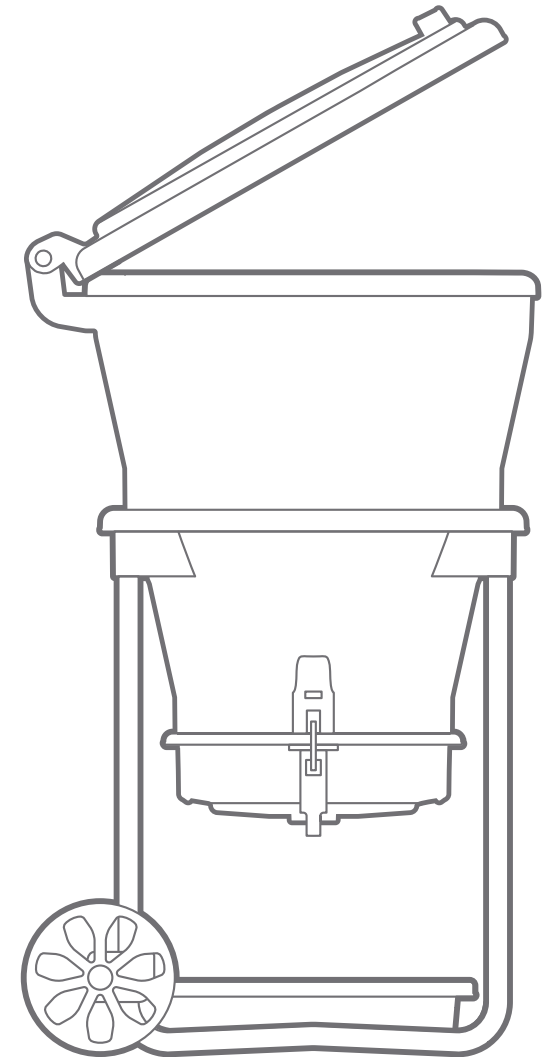
PO Box 13 504, Onehunga  
Auckland 1643, New Zealand, Aotearoa  
Freephone 0508 685 685 Phone +64 9 634 9029  
[www.lowimpact.co.nz](http://www.lowimpact.co.nz)



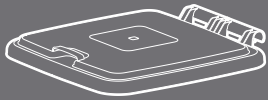
[www.hungrybin.co.nz](http://www.hungrybin.co.nz)



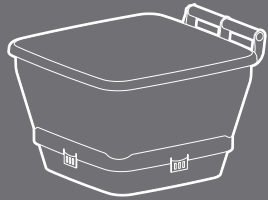
## ASSEMBLY INSTRUCTIONS



1x LID



1x UPPER BODY



1x LOWER BODY



2x LATCHES



1x FLOOR



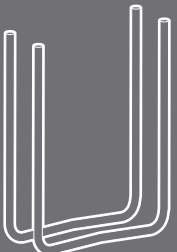
1x FILTER



1x DRIP TRAY



2x LEGS



1x HEX KEY

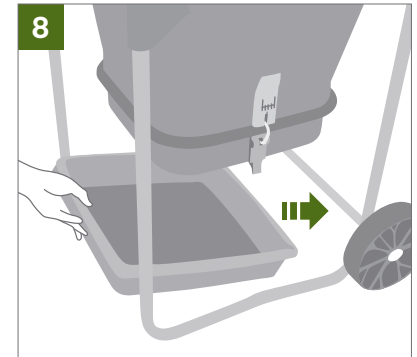
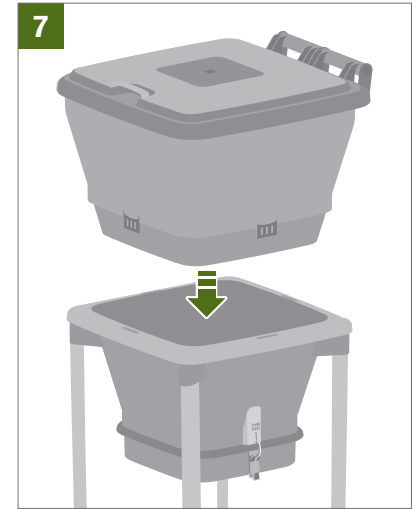
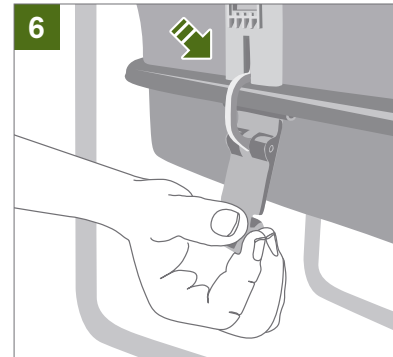
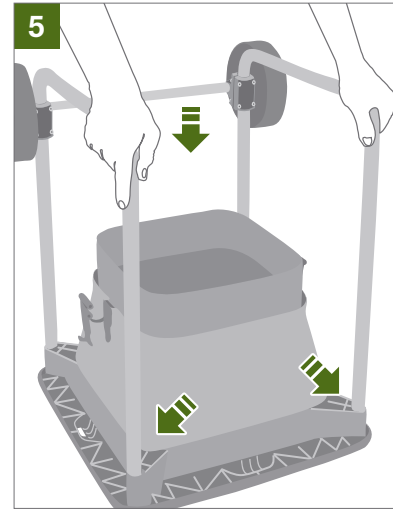
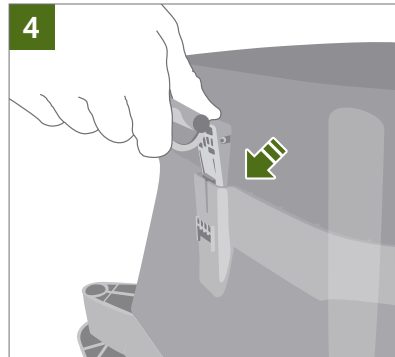
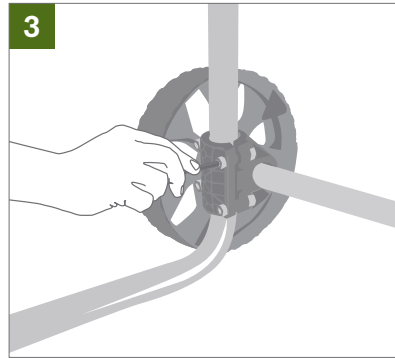
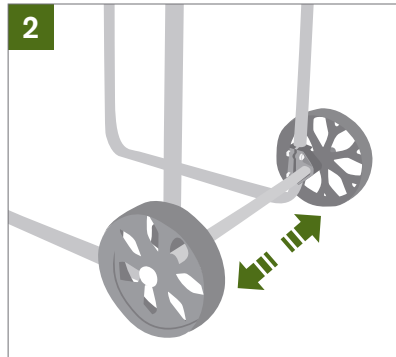
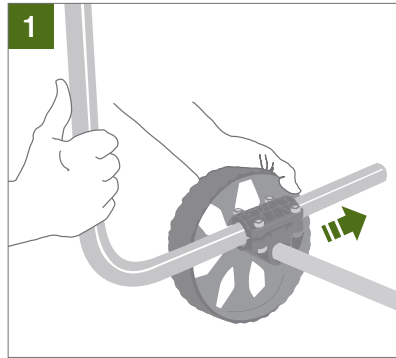
1x AXLE ASSEMBLY



## ASSEMBLY INSTRUCTIONS

EQUIPMENT NEEDED: HEX KEY (SUPPLIED)

Please see our website for complete instructions & photographs of the assembly process.



**1** Assemble the frame by sliding one end of each leg through each of the axle clamps on the axle assembly. Make sure the axle is on the outside of the frame when upright.

**2** Push each leg through the clamp until the wheels are touching the ground when the legs are in an upright position. Push the axle clamps and the wheels to the outside of the axle clamp assembly.

**3** Using the hex key supplied, evenly tighten the 4 screws on each axle clamp to firmly secure the clamp to the leg. Tighten the screws in stages to ensure the gaps between both sides of the axle clamps are even.

**4** Place the lower body upside down on the ground. Insert the two latches into either side of the skirt of the lower body. The latches require a firm downward pressure to install. **Ensure that the green lock tabs have clicked into the slot.**

**5** Insert the top of the assembled legs into each of the four sockets on the underside of the lower body. Make sure the legs are positioned so that the wheels are on the same side as the latches. Push the legs firmly into the sockets.

**6** Turn the lower body over to an upright position. Slide the floor with the filter inserted over the lower part of the lower body and lock into place with the latches. Press the latches in the centre to lock the latch into place. It should click to lock.

**7** Place the upper body into the lower body, with the handle on the same side as the wheels. Push the upper body downwards, so that the tabs push into the slots on the lower body and lock into place.

**8** Place the drip tray on the ground under the lower body. Congratulations! Your hungry bin is now assembled and ready to start. Follow the instructions on page 2 of the owners manual for best results.